



High Energy Suppressor Discs P Series



Description

High Energy Suppressor Discs P Series are heavy duty metal oxide varistors designed for special applications where unique contacts are required. They offer an excellent surge protection for use in the industrial and consumer electrical equipment, power distribution control equipment, security/fire alarm systems, railroad equipment, switch boards, computers, telecommunication, power supplies and motor controls in transportation, oil drilling and mining equipment . The advantages of the P Series are: good solderability (Ag), passivation with glass (on request), stacking possibility (Al electrodes).

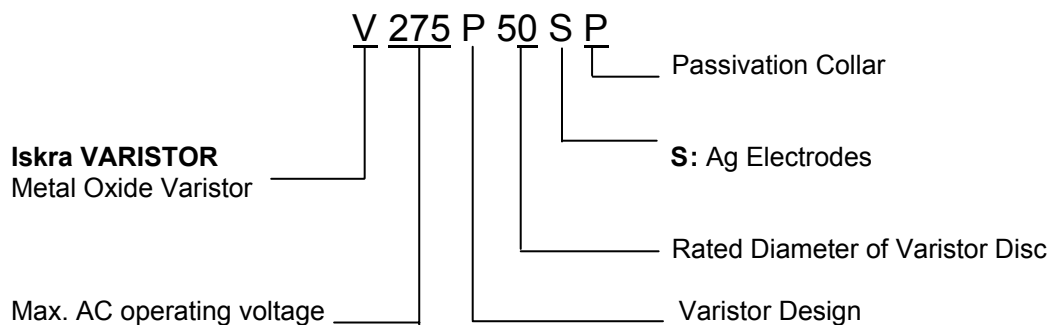
Main Features

Wide Operating Voltage Range V_{RMS} 130 V to 1100 V
High Energy Absorption Capability $W_{max}(2\text{ ms})$ 400 J – 2300 J
High Peak Current Capability $I_{max}(8/20\ \mu\text{s})$ 50.000 A
Silver Electrode Finish
Versions with Glass Passivation

General Technical Data

Climatic Category	40/085/56	in accordance with IEC 68-1
LCT	- 40°C	
UCT	+85°C	
Damp Heat, Steady state (93% r.h., 40°C)	56 days	in accordance with IEC 68-2-3
Operating temperature	-40 ... +85°C	in accordance with CECC 42 000
Storage temperature	-40 ... +110°C	
Response time	< 25 ns	

Type designation





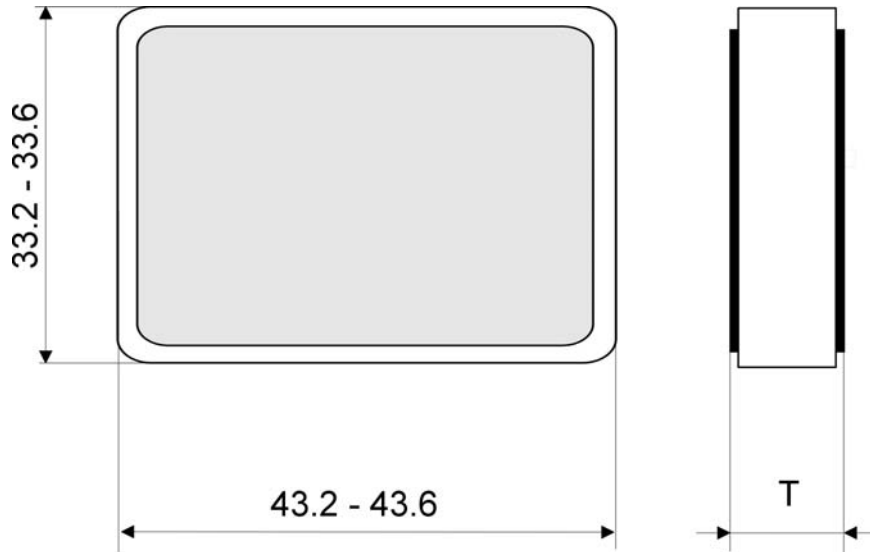
High Energy Suppressor Discs P Series

Table of Standard Values (High Energy Suppressor Discs P Series)

Part Number	Maximum Ratings TA = +85°C (+185°F)					Characteristics TA = +25°C (+77°F)					CODE
	Operating Voltage		Average Power Dissipation	Permissible Peak Current (8/20 μ s)	Energy Absorption (2 ms)	Varistor Voltage (1 mA)		Maximum Clamping Voltage at Test Current (8/20 μ s)		Typical Capacitance f=1kHz	
	RMS Voltage	DC Voltage				V _N (V)	Δ V _N (%)	V _C (V)	I (A)		
V _{RMS} (V)	V _{DC} (V)	P _{max} (W)	I _{max} (A)	W _{max} (J)	V _N (V)	Δ V _N (%)	V _C (V)	I (A)	C (pF)		
V130P50	130	170	1.5	50000	400	205	± 10	340	400	7300	001976...
V140P50	140	180	1.5	50000	425	220	± 10	360	400	6750	
V150P50	150	200	1.5	50000	460	240	± 10	395	400	6250	
V175P50	175	225	1.5	50000	510	270	± 10	455	400	5250	
V230P50	230	300	1.5	50000	580	360	± 10	595	400	4250	
V250P50	250	320	1.5	50000	630	390	± 10	650	400	3900	
V275P50	275	350	1.5	50000	710	430	± 10	710	400	3600	
V300P50	300	385	1.5	50000	750	470	± 10	840	400	3400	
V320P50	320	420	1.5	50000	820	510	± 10	840	400	3000	
V385P50	385	505	1.5	50000	1020	620	± 10	1025	400	2500	
V420P50	420	560	1.5	50000	1170	680	± 10	1120	400	2350	
V440P50	440	585	1.5	50000	1190	715	± 10	1180	400	2200	
V460P50	460	615	1.5	50000	1260	750	± 10	1240	400	2100	
V510P50	510	670	1.5	50000	1300	820	± 10	1355	400	2000	
V550P50	550	745	1.5	50000	1350	910	± 10	1400	400	1850	
V625P50	625	825	1.5	50000	1375	1000	± 10	1650	400	1750	
V680P50	680	895	1.5	50000	1420	1100	± 10	1815	400	1500	
V750P50	750	970	1.5	50000	1550	1200	± 10	2000	400	1400	
V1100P50	1100	1465	1.5	50000	2300	1800	± 10	2970	400	1000	

High Energy Suppressor Discs P Series

Dimensions:



Part Number	T mm (± 1)
V130	1.4
V140	1.6
V150	2.4
V175	2.5
V230	2.7
V250	3.1
V275	2.7
V300	2.9
V320	3.1
V385	3.7
V420	4.0
V440	4.2
V460	4.4
V510	4.9
V550	5.3
V625	6.0
V680	6.6
V750	7.2
V1100	10.6