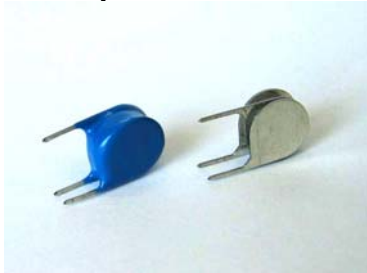




Surge Protective Device **VP175/10K8** Series

Description



Varsi VP Surge Protective Device is an integrated, overvoltage and overcurrent product which incorporates PTC Thermistor and Metal Oxide Varistor in one single unit to help reduce component count and board space. VP device makes even more possibilities in overcurrent and overvoltage protection modules development on the telecommunication side. Using VP device we can achieve new qualities in overcurrent and overvoltage protection of telecommunication systems-better and less expensive solutions.

Main Features

- Single, overvoltage, overcurrent and ESD protection device
- Resettable overcurrent protection
- Coated or Uncoated Version
- RoHS compliant



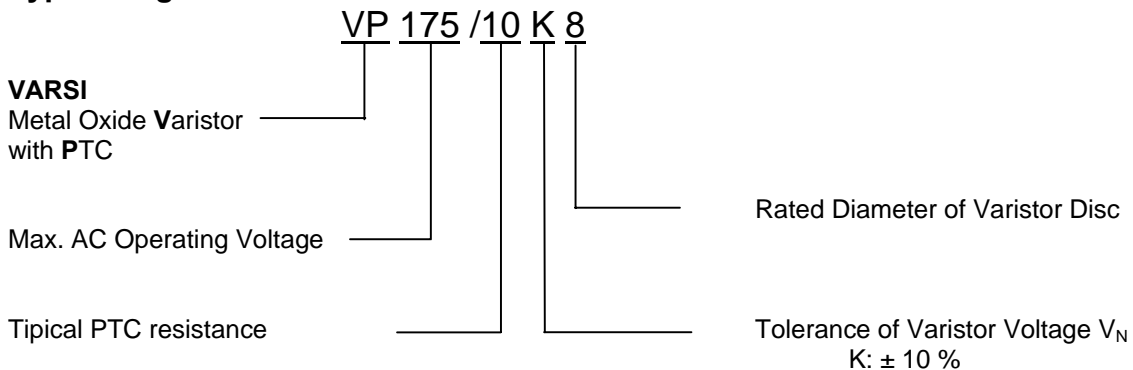
Applications

- Analog and ISDN linecards
- Cordless Telephones
- Fax Machines
- Data Modems
- Security systems
- VoIP systems
- MDF modules (Main Distribution Frames)

General Technical Data

Tested in accordance with	IEC 61051-1 and UL1449
Operating temperature	-40 ... +85°C
Response Time	< 25 ns
Mounting	on Printed Circuit Board

Type Designation

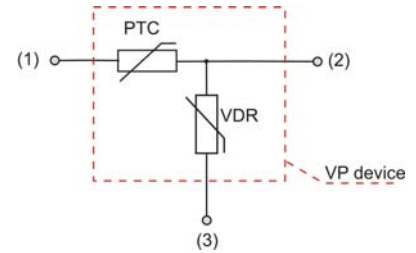




Surge Protective Device VP175/10K8 Series

Overcurrent (terminals 1 - 2) - Performance Ratings

R_R	ΔR_R	$R_{25,match}$	I_R @ 25°C	I_R @ 70°C	I_S @ 25°C	I_{Smax} @ 230 VAC	$t_{S(typ)} I_R$ @ I_{Smax} 230 VAC
(Ω)	(%)	(Ω)	(mA)	(mA)	(mA)	(A)	(s)
10	±15	±0.5	150	100	300	1.0	4.0

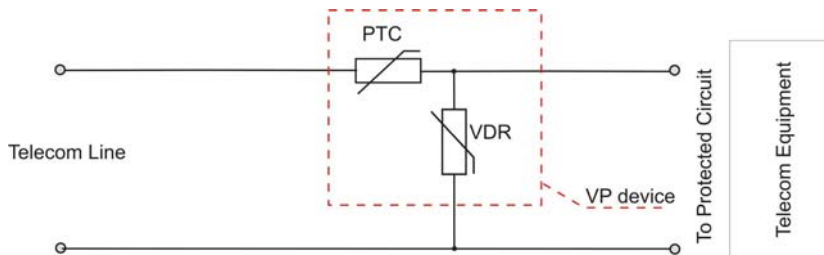


Overvoltage (terminals 2 - 3) - Performance Ratings

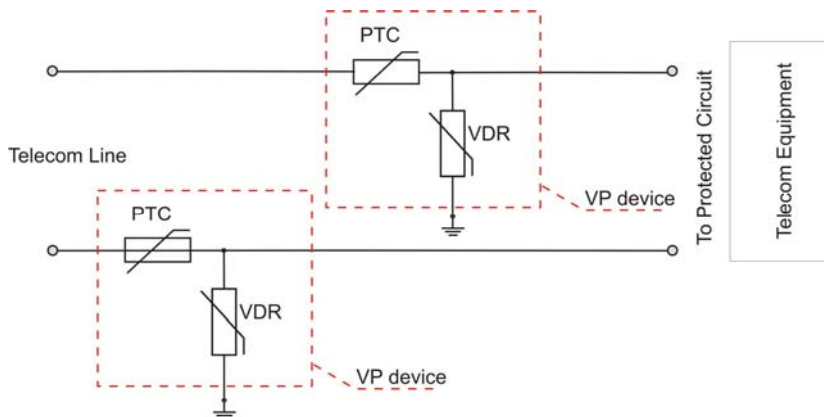
Maximum Ratings $T_A = +85^\circ\text{C} (+185^\circ\text{F})$					Characteristics $T_A = +25^\circ\text{C} (+77^\circ\text{F})$				
Operating Voltage		Average Power Dissipation	Permissible Peak Current (8/20 μs)	Energy Absorption (2 ms)	Varistor Voltage (1 mA)		Maximum Clamping Voltage at Test Current (8/20 μs)		Typical Capacitance $f=1\text{kHz}$
RMS Voltage	DC Voltage				V_N	ΔV_N	V_C	I	
V_{RMS} (V)	V_{DC} (V)	P_{max} (W)	I_{max} (A)	W_{max} (J)	V_N (V)	ΔV_N (%)	V_C (V)	I (A)	C (pF)
175	225	0.25	1200	13	270	±10	455	5.0	75

All other voltages are available on request

VP device in ungrounded system



VP device in grounded system

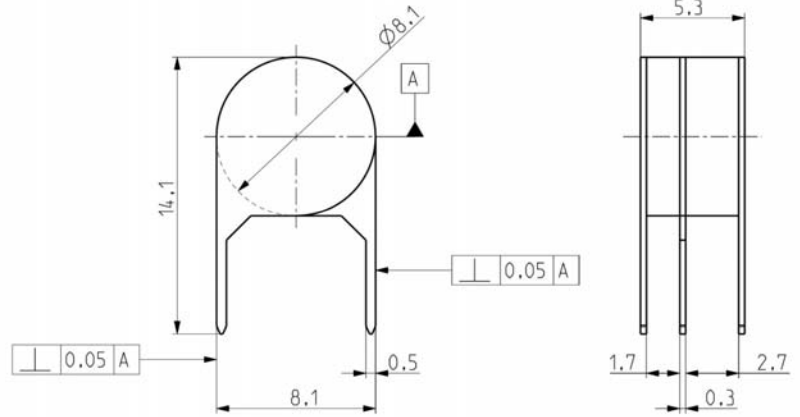
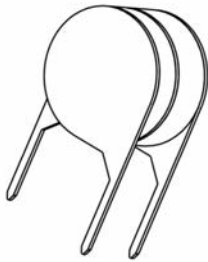




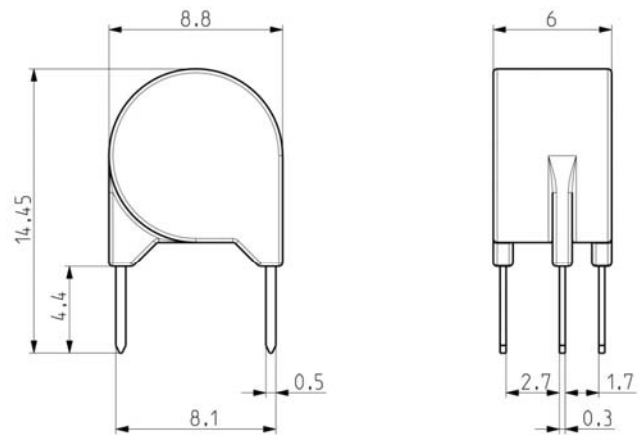
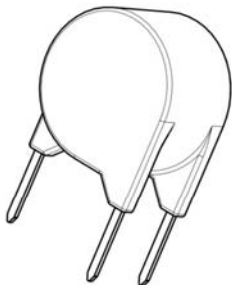
Surge Protective Device VP175/10K8 Series

Dimensions

Uncoated Version



Coated Version



VARSI reserves the right to modify the specification and design at any time under its policy of constant product improvement.